

2765 West 8th Avenue,

Vancouver, B.C.

Reiko Mackenzie



604-808-0953

homes@reikomackenzie.com

Totals\*\*

Main Level: 1,181 sq. ft.

Deck: 135 sq. ft.

Lower Level: 903 sq. ft.

Porch: 76 sq. ft.

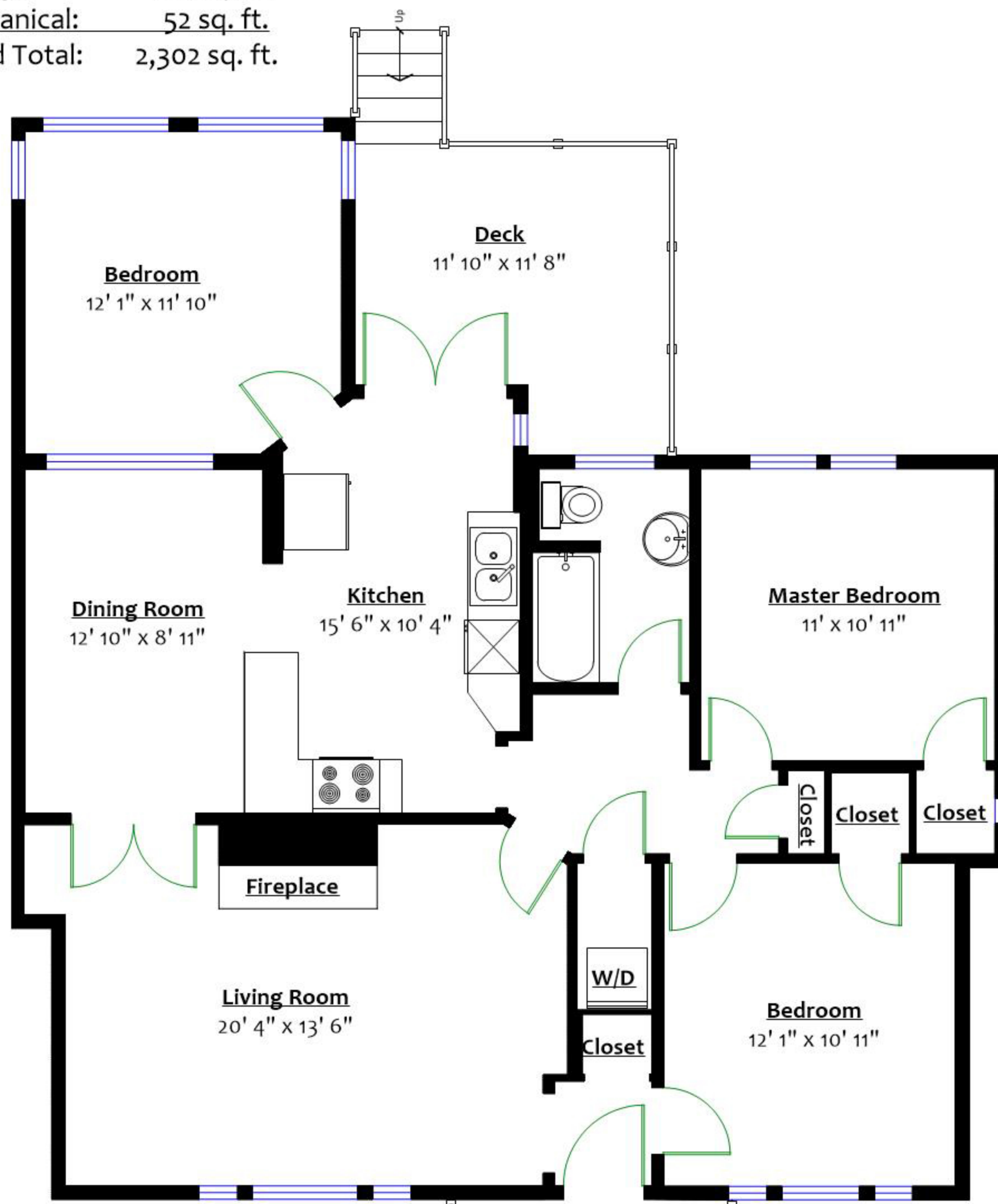
Total Finished: 2,084 sq. ft.

Total: 211 sq. ft.

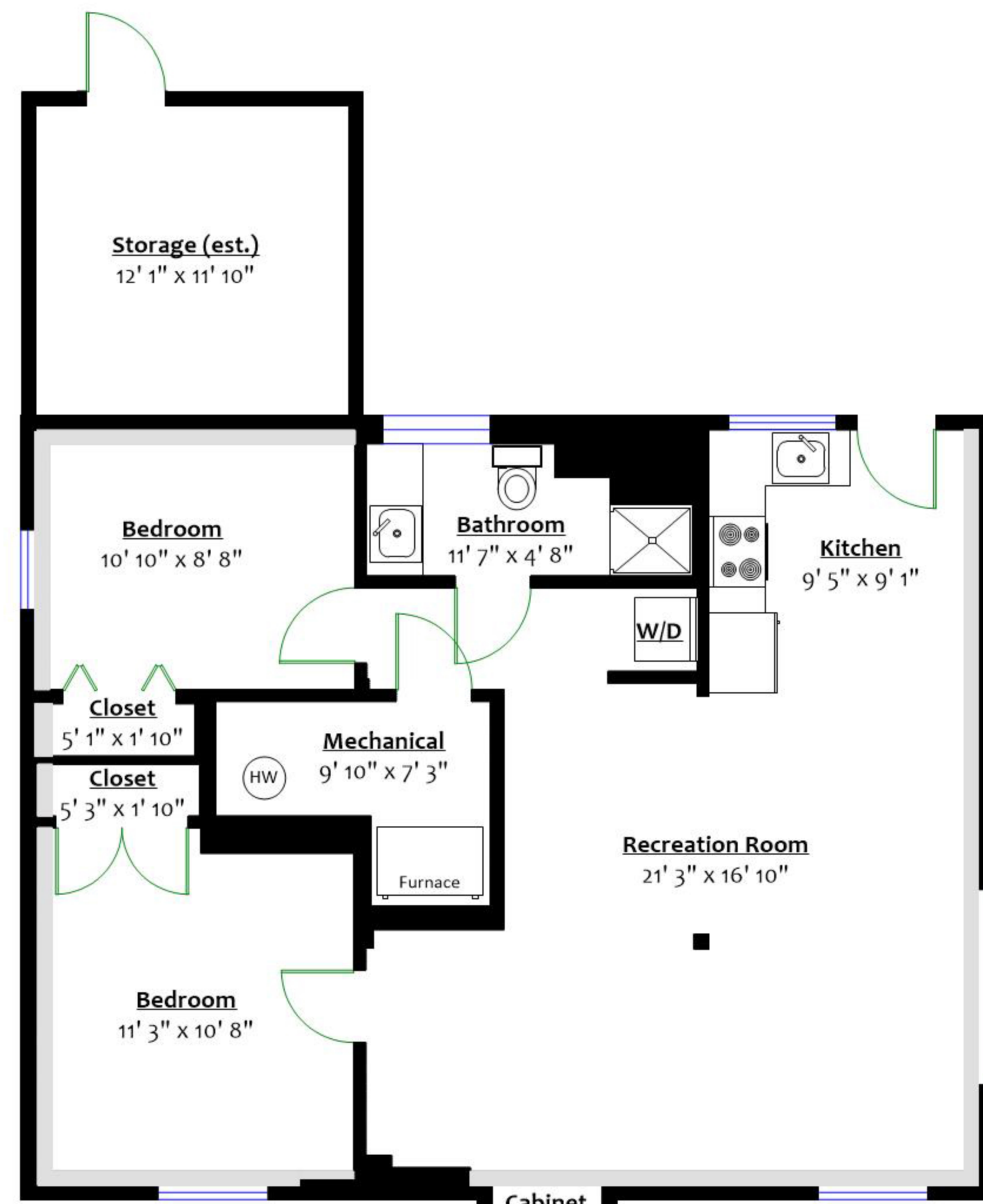
Storage: 165 sq. ft.

Mechanical: 52 sq. ft.

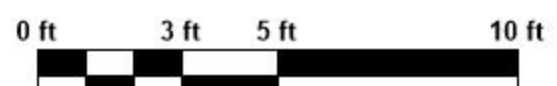
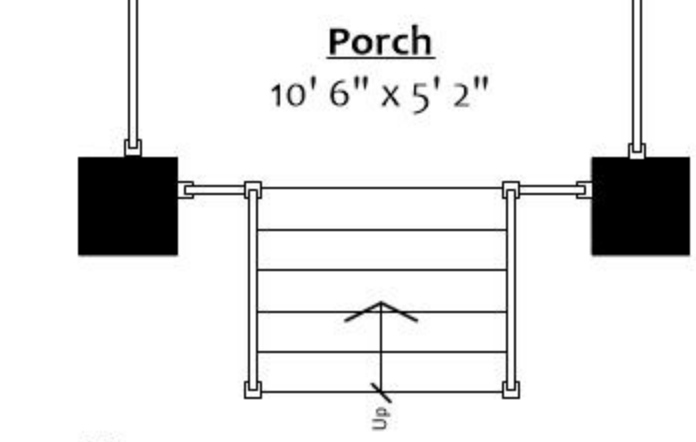
Grand Total: 2,302 sq. ft.



MAIN LEVEL  
Floor Area: 1,181 Sq. Ft.



LOWER LEVEL  
Floor Area: 903 Sq. Ft.



\*\* Approx. based on interior measurements to exterior walls  
\*\* Total square footage not taken from original blueprints